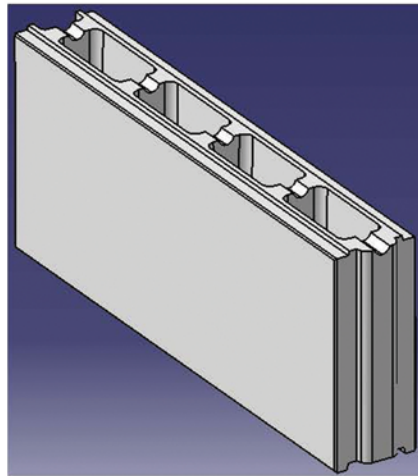




LINK N LOCK®  
SMART-HYBRID INSULATING CONCRETE BLOCK

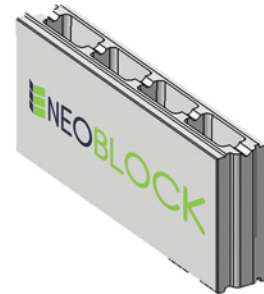


THE MOST RELIABLE ENERGY EFFICIENT  
CONCRETE BLOCK



## Key Success of NEOBLOCK™

- Superior Properties
- Higher Compressive Strength
- Superior Heat and Sound Insulation



## Quick & Easy Installation

- LINK N LOCK® Technology (Interlocking on all four sides)
- No need for skilled labour (Minimal leveling required)
- Minimal joint mortar and plaster required

## Eco-Friendly Product

- Low energy consumption
- Less pollution during production



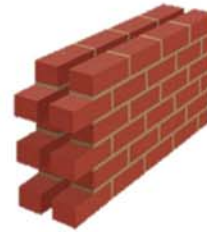
Eco-friendly Homes

## Advantages of NEOBLOCK™ over AAC/CLC and Clay Bricks

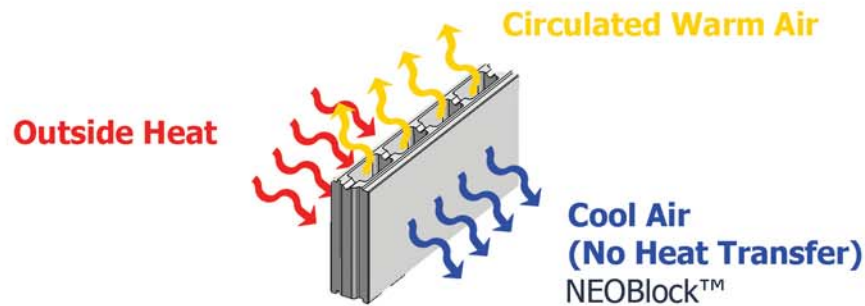
- Energy Savings: 10-15 times more than clay bricks in terms of insulation
- Compressive Strength: 10 times superior than AAC/CLC
- Installation Speed: 30% quicker installation than AAC/CLC and 50% over clay bricks
- Fire Rating: More than 4 Hours
- Sound Insulation (STC Rate): 40% higher sound insulation
- Water Absorption: 10 times lower WaterAbsorption properties than AAC/CLC
- Function and Use: LINK N LOCK® Technology allows for easy, quick and uniformed installation (each piece fits like a jigsaw) without the need for skilled labour. Superior strength and durability.

Thermal Conductivity :  $K$ , is an intensive property of material that indicates its ability to conduct heat.

Substance	Thermal Conductivity $k$ (W/m K )
Aluminum	205
Copper	385
Iron and Steel	50.2
Silver	406
Transformer Oil	0.18
Water	0.57
Air	0.024
Brick	0.71
Concrete	0.8
Styrofoam	0.01
Wood, oak	0.15
Vacuum	0



Double-wall Brick



NEOBlock™ Specification Comparison					
List	Unit	NEOBlock™	AAC / CLC	Clay Bricks	Advantages of NEOBlock™
Weight (per Sqm)	Kgs	95	75	120	Lighter than Clay Bricks
Compressive Strength	(kg / m2)	360	20 - 70	20 - 35	Minimize structural damage
Density	(kg / m3)	2000 - 2200	600 - 800	1200 - 1500	Higher density = Longer durability
Water Absorption	% by weight	3.54	35	15 - 20	Effective reduction on mold & fungus growth
STC Rating	dB	61.8	44	38	Superior sound insulation
Heat Insulation	W/m-k	0.4*	0.4	1-3	Good heat insulation

\* Insulating properties of materials only. The structure of NEOBlock™ is designed to facilitate additional heat insulation using principles of passive cooling.





Superior Sound insulation than AAC/CLC and Clay Bricks



Fire Resistance for more than 4 hours



25% Lighter than Clay Bricks (Per Square Meter)



Higher Compressive Strength than AAC/CLC and Clay Bricks



Low Water Absorption



Effective Heat Dissipation through principal of passive cooling resulting in higher energy savings



Quick & Easy Installation with LINK N LOCK® Technology



Manufactured according to TIS standards.



No Special Plaster or Skilled labour required



Environmental Complaint / Eco-Friendly



ICM TECHNOLOGY (THAILAND) CO., LTD

SALES OFFICE

TELEPHONE: +66(0)2 005 0995

FAX: +66(0)2 005 0994

EMAIL: SALES@ICMTECHGLOBAL.COM

ADDRESS: 9/32 THE PRESTON TOWNHOME, SOI KRUNTHEP KRITHA 7, LANE 4,  
HUAMAAK, BANGKAPI, BANGKOK, THAILAND 10260

WWW.ICMTECHGLOBAL.COM